

# STORAGE RACKS

## AIRECTOR® STACKING RACK

GILLIS-JARKE by  
**SPG**

Call about our  
QUICK SHIP  
program

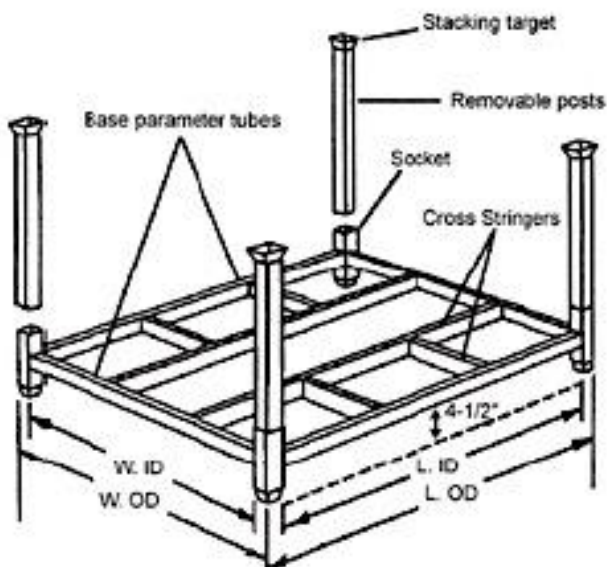


Airector® Stacking Racks  
3 bases shown with posts

ITEM # \_\_\_\_\_ MODEL # \_\_\_\_\_ QTY: \_\_\_\_  
PROJECT: \_\_\_\_\_  
OPTIONS:  YES \_\_\_\_\_  NO \_\_\_\_\_

### Standard Features & Benefits

- ◆ Built with 10- to 13-gauge tubular steel for heavy-duty performance and 2,000-lb. and 4,000-lb. load capacity
- ◆ Combines the unit load capacity of a pallet with the protection and alignment of stacking posts
- ◆ Stack up to 4 high to maximize storage
- ◆ Designed for 4-way forklift entry
- ◆ Available in a variety of sizes, with or without decking



For SPG's complete product menu,  
visit [www.spgusa.com](http://www.spgusa.com) or call 877.503.4SPG (4774)

EXPECT MORE  
**SPG**  
STORAGE PRODUCTS GROUP

# STORAGE RACKS

## AIRECTOR® STACKING RACK

### Specifications

#### Airector Heavy-Duty Bases

Airector® racks combine the unit load capabilities of a pallet with the product protection of stacking posts. The welded tubular steel construction provides Airector Racks with dependable load carrying strength. All units are painted gray.

#### Heavy-Duty Post Sets (sets of 4)

Heavy-Duty Post Sets feature a 2,000 & 4,000 load lbs capacity and interchangeable/removable side and end frames available upon request. Height is shown from top of deck to underside of target. A heavy-duty channel collar is available upon request (sets of 4 only). Sets can be sized to your application, consult factory for details.

#### Airector Heavy-Duty Bases (base only)

Model No. 2,000 Lbs. Cap.	O.A. Width (In.)	O.A. Length (In.)	Wt. (Lbs.)	Model No. 4,000 Lbs. Cap.	O.A. Width (In.)	O.A. Length (In.)	Wt. (Lbs.)
<b>Open Deck</b>				<b>Open Deck</b>			
BB2-4248H	42	48	60	BB4-4248H	42	48	89
BB2-4254H	42	54	68	BB4-4254H	42	54	99
BB2-4260H	42	60	77	BB4-4260H	42	60	109
BB2-4848H†	48	48	65	BB4-4848H	48	48	104
BB2-4854H	48	54	74	BB4-4854H	48	54	111
BB2-4860H	48	60	82	BB4-4860H†	48	60	127
<b>Wood Deck</b>				<b>Wood Deck</b>			
BB2-4248HW	42	48	80	BB4-4248HW	42	48	96
BB2-4254HW	42	54	87	BB4-4254HW	42	54	104
BB2-4260HW†	42	60	101	BB4-4260HW	42	60	114
BB2-4848HW	48	48	89	BB4-4848HW†	48	48	111
BB2-4854HW	48	54	97	BB4-4854HW	48	54	119
BB2-4860HW	48	60	112	BB4-4860HW	48	60	135

† Call about our quick ship program

#### Heavy-Duty Post Sets (sets of 4)

Ht. (In.) Above Deck	Model No. 2,000 Lbs. Cap.	Wt. Per Set (Lbs.)	Model No. 4,000 Lbs. Cap.	Wt. Per Set (Lbs.)
36	PT-2-36	30	PT-4-36†	38
42	PT-2-42	33	PT-4-42	42
48	PT-2-48	36	PT-4-48†	47
60	PT-2-60	42	PT-4-60	55

AMCO • Freestyle • ISS • Kelmax • LPI • Universal Stainless • Gillis-Jarke

SPG International, LLC  
11230 Harland Drive NE  
Covington, GA 30014  
877-503-4SPG (4774)

www.spgusa.com

The best names in the business  
all have one thing in common.

EXPECT MORE  
**SPG**  
STORAGE PRODUCTS GROUP