

CARTS

COLLAPSIBLE NESTING SECURITY CART



ITEM # _____ MODEL # _____ QTY: ____
PROJECT: _____

Standard Features & Benefits

- ◆ Sturdy two-shelf wire design with lockable doors for greater security and easier loading and unloading of goods
- ◆ Versatile interior that adapts to a variety of inventory needs
- ◆ Loaded carts can be linked and towed as one coordinated unit
- ◆ Carts can collapse to 33% of their original size and nest together to make transport of empty carts simpler, while reducing their footprint
- ◆ 6" premium rubber casters for easy navigation
- ◆ Synchronized brakes on the cart's rear wheels are operated by a single hand brake for greater control
- ◆ 1,000 lb. capacity; 500 lbs per shelf
- ◆ Powder-coated in "Machine Red"
- ◆ Patent pending design



GNMSU3046-6PR



Shown folded/collapsed

For SPG's complete product menu, visit www.spgusa.com or call 877.503.4SPG (4774)

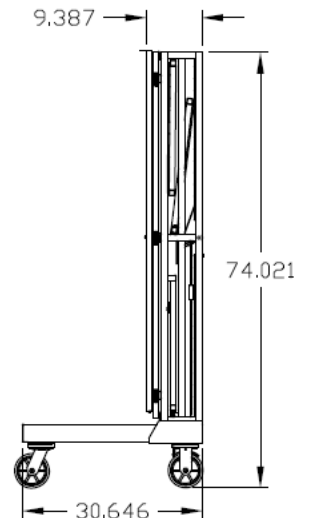
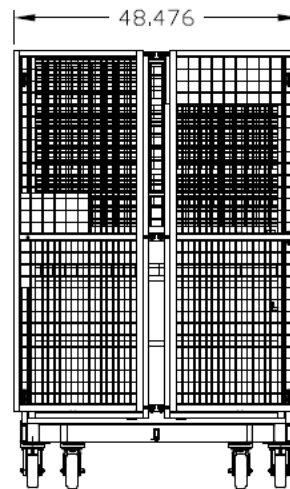
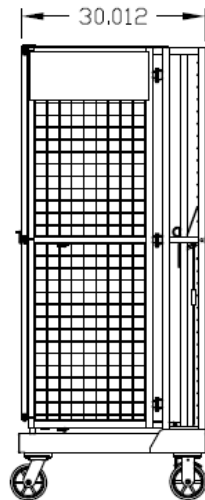
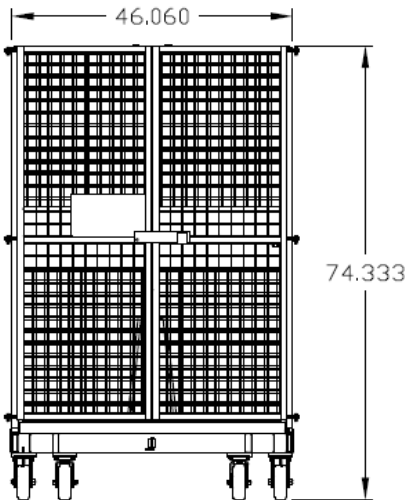
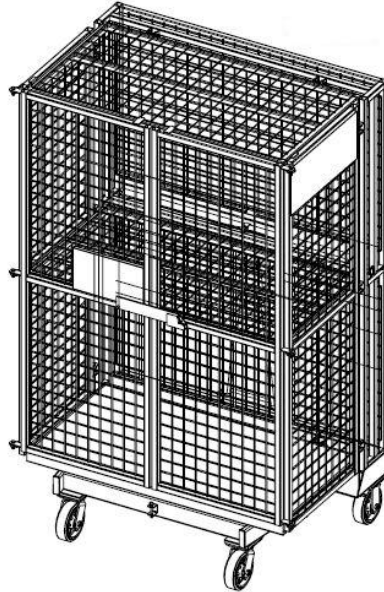


CARTS

COLLAPSIBLE NESTING SECURITY CART

Specifications

Model No.	W Inches	L Inches	H Inches	Weight (lbs.)
GNMSU3046-6PR	30"	46"	75"	314



AMCO • Freestyle • ISS • Kelmax • LPI • Universal Stainless • Gillis-Jarke

SPG International, LLC
11230 Harland Drive NE
Covington, GA 30014
877-503-4SPG (4774)

www.spgusa.com

The best names in the business
all have one thing in common.

EXPECT MORE

SPG
STORAGE PRODUCTS GROUP