

COFFEE COUNTERS

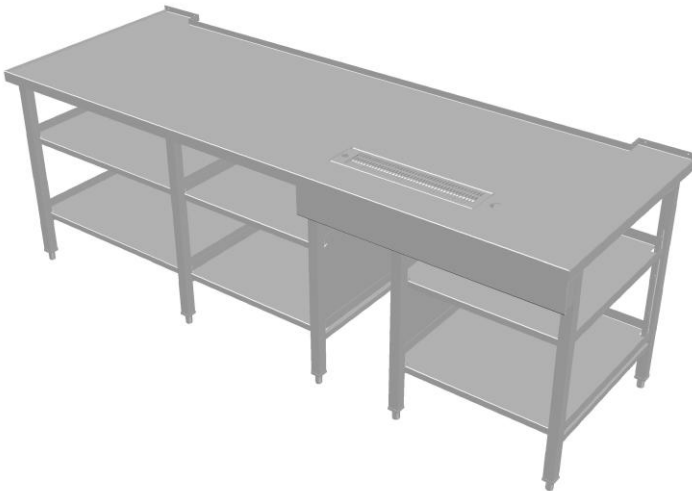
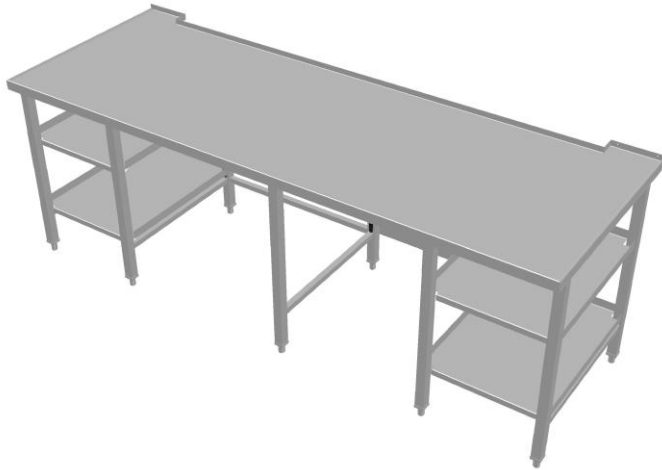
STAINLESS STEEL COFFEE COUNTERS

UNIVERSAL
STAINLESS by
SPG

ITEM # _____ MODEL # _____ QTY: ____

PROJECT: _____

OPTIONS: YES _____ NO _____



Standard Features & Benefits

- ◆ Durable one-piece-top construction with marine edge provides liquid containment and easy clean-up
- ◆ Integrated drip trough and sprayer grommet provides a seamless preparation surface allowing easier beverage handling and transition
- ◆ Access notch along rear provides easy access to electrical, plumbing and data services for order prep and customer service equipment
- ◆ Durable square tube legs and bullet feet create a stable, sturdy workstation. Pilasters with adjustable shelving clips allow easy modifications of shelving for specific needs
- ◆ Sectioned base lets you customize configurations of necessary equipment and shelving, and lets you reconfigure as needed
- ◆ Integral trash section with side panels provides containment of refuse with easy clean-up
- ◆ Optional side panels allow for concealment of equipment or shelving from public view

For SPG's complete product menu,
visit www.spgusa.com or call 877.503.4SPG (4774)

EXPECT MORE
SPG
STORAGE PRODUCTS GROUP

COFFEE COUNTERS

STAINLESS STEEL COFFEE COUNTERS

Specifications

Construction

All equipment to be manufactured to NSF requirements and guidelines. Constructed of 16 Gauge/ 300 series Stainless Steel. Coffee counters have removable tops w/ all welded base sections. All surfaces are polished to a number 4 finish.

Shelving

Undershelving and side panels are 18 Gauge/ 300 Series Stainless Steel.

Legs & Pilasters

Legs are 16 Gauge/ 300 series Stainless Steel 1-1/2" square tube and cross rails are 1" square tube. All pilasters and support clips are removable for easy cleaning.

Counters

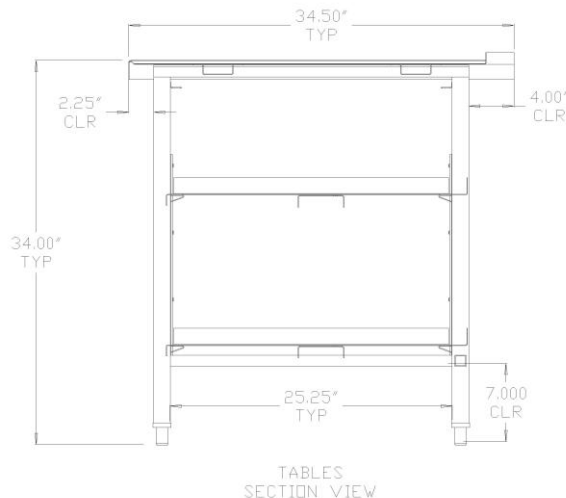
Counters to have 4" clear rear base offset, 1" upturn backsplash and 2-1/2" rear notch for cables, plumbing and access for equipment. All countertops to have marine edges and 6" front apron to support speed rails in front of drip trough area.

Trash receptacle

All trash receptacle sections shall be 12" clear and receive 2 side panels- adjacent to adjustable shelving below drip trough.

Ice Caddy & Undercounter Unit Sections

Ice caddy section to be 24" clear with optional removable rear support brace. All Undercounter sections to be 30" clear. Both sections can accommodate future optional shelving in standards 24" and 30" sizes.



AMCO • Freestyle • ISS • Kelmax • LPI • Universal Stainless • Gillis-Jarke

SPG International, LLC
11230 Harland Drive NE
Covington, GA 30014
877-503-4SPG (4774)

www.spgusa.com

The best names in the business
all have one thing in common.

EXPECT MORE
SPG
STORAGE PRODUCTS GROUP